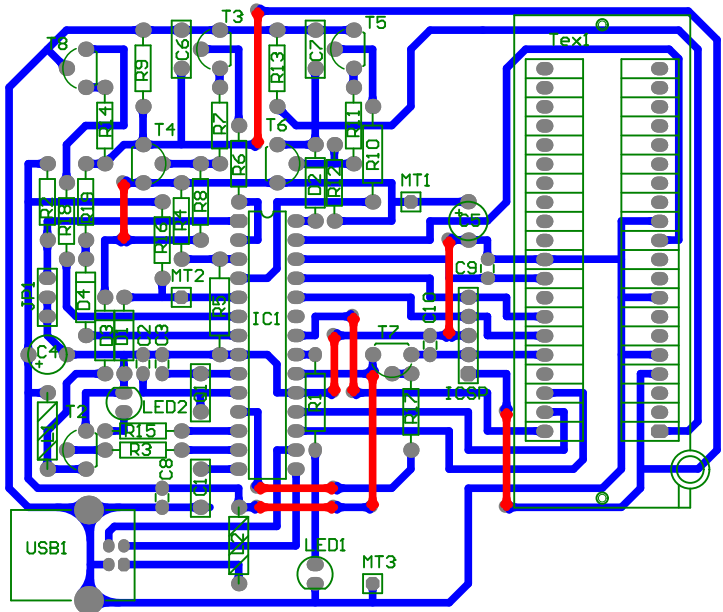


MICROCHIP USB PROGRAMMER



Comment	Description	Designator	Footprint	LibRef	Quantity
Textool 40			TEXT40ELE	TEXTTOOL40	1
220nF	blok kondenzator	C1	CAP2	CAP	1
22p	blok kondenzator	C2, C3	CAP1	CAP	2
10uF	ELKO	C4	ELKO2/2	ELKO	1
47uF	ELKO	C5	ELKO2/2	ELKO	1
1nF	blok kondenzator	C6, C7	CAP2	CAP	2
100nF	blok kondenzator	C8, C9, C10	CAP1	CAP	3
BAT43	Schottky dioda	D1, D2, D4	1N4007	BAT42	3
BZX 3.3	Zener Diode	D3	BZX85C	BZX85C	1
18F2550	Microcontroller	IC1	DIP28SP	18F2550	1
		ICSP	PIN5	CON5	1
	Jumper Dupli	JP1	JUMP3	JUMPERPREK	1
680uH		L1	L4R	INDUCTOR	1
10uH		L2	L4R	INDUCTOR	1
LED	LED dioda	LED1, LED2	LED	LED	2
PIN1		MT1, MT2	PIN1	PIN1	2
		MT3	PIN1	PIN1	1
20MHz	Quartz	Q1	QUARTZ	QUARTZ	1
1K	Otpornik	R1	RES5	RES2	1
10K	Otpornik	R2, R3, R6, R7, R9, R11, R13, R17, R18	RES4	RES2	9
4K7	Otpornik	R4	RES4	RES2	1
2K2	Otpornik	R5	RES5	RES2	1
100K	Otpornik	R8, R12	RES4	RES2	2
10K	Otpornik	R10	RES5	RES2	1
100	Otpornik	R14, R19	RES4	RES2	2
1K	Otpornik	R15	RES4	RES2	1
330	Otpornik	R16	RES4	RES2	1
BC337	NPN Transistor	T2, T3, T5	BC337	BC337	3
BC327	PNP Transistor	T4, T6, T7	BC327	BC327	3
BF959	NPN VF Transistor	T8	BF959	BF959	1
USB V2.0	CON USB-B	USB1	USB-B	USB-B	1