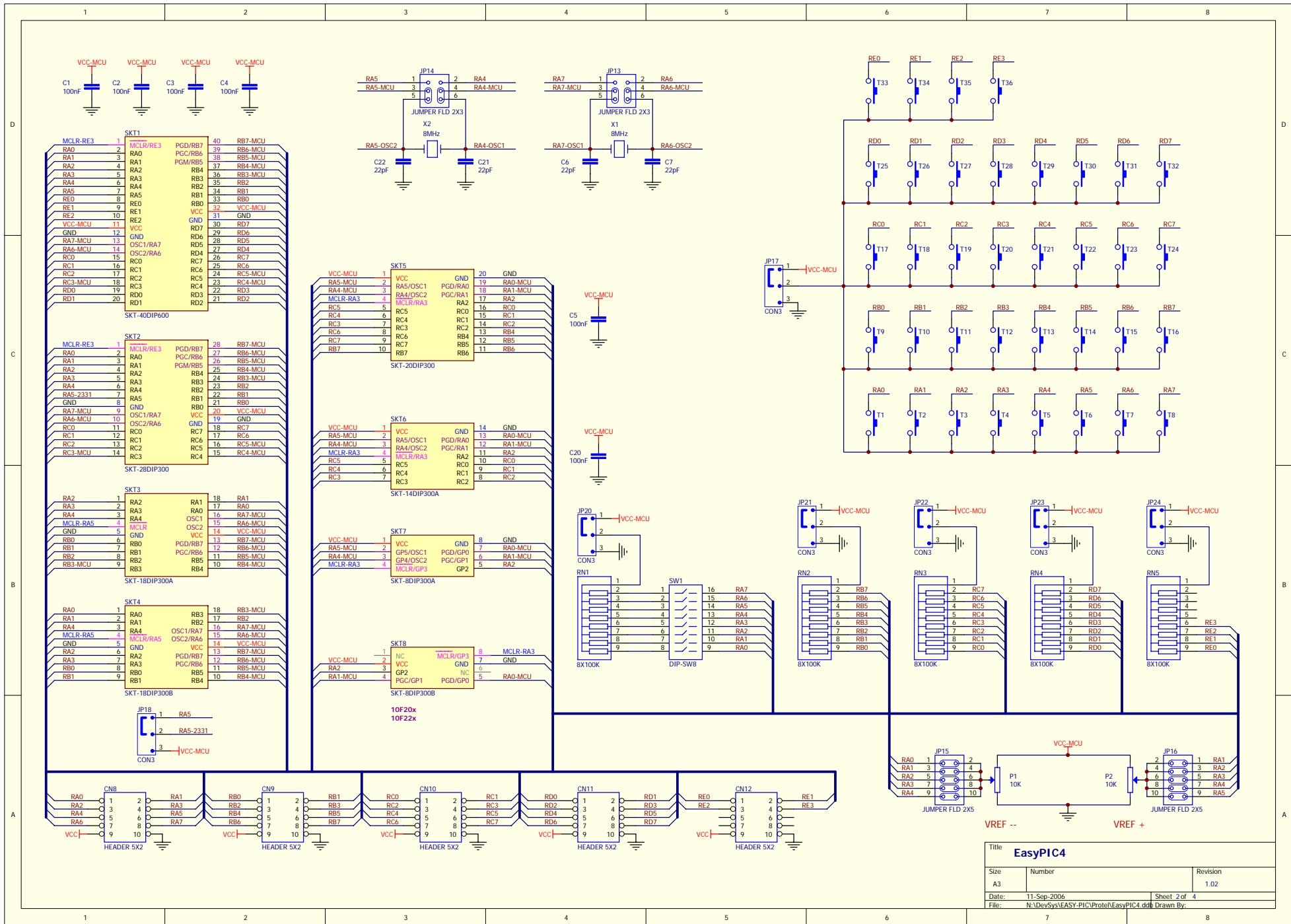
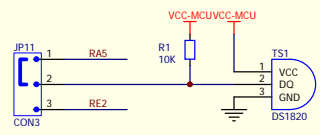
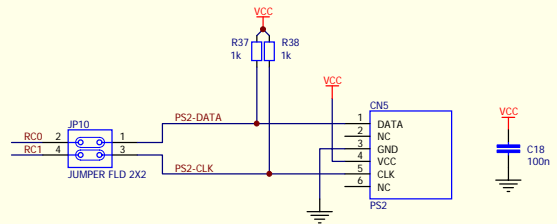
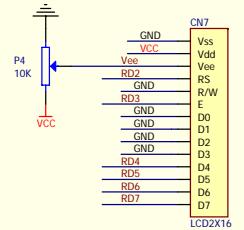
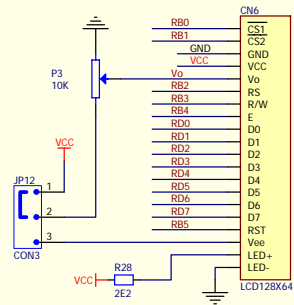
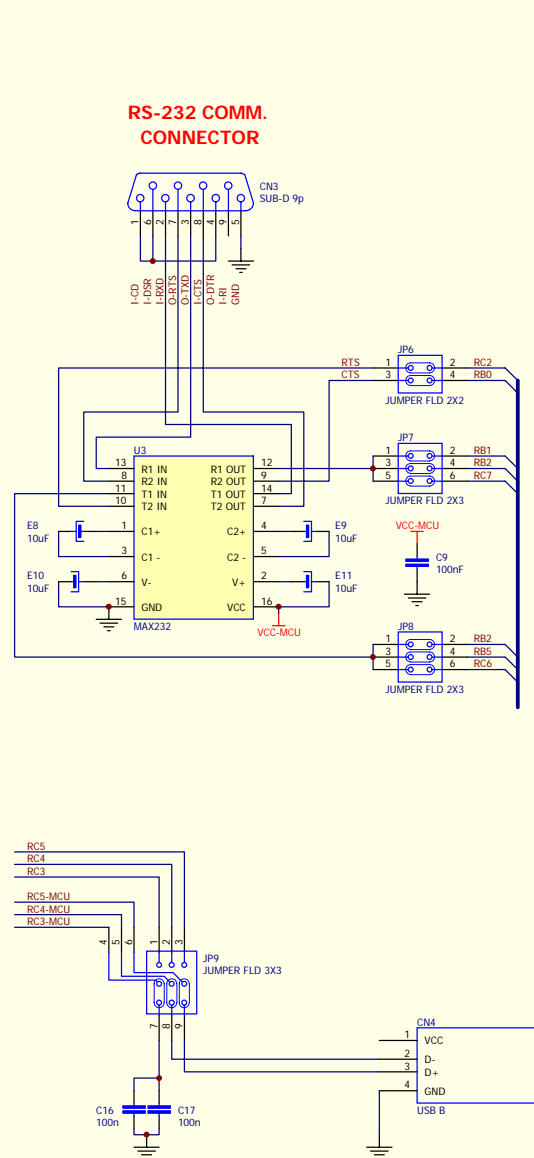


Title EasyPIC4		
Size A3	Number	Revision 1.02
Date: 11-Sep-2006	Sheet 1 of 4	Drawn By:
File: N:\DevSys\EASY-PIC\Protel\EasyPIC4.dwg		

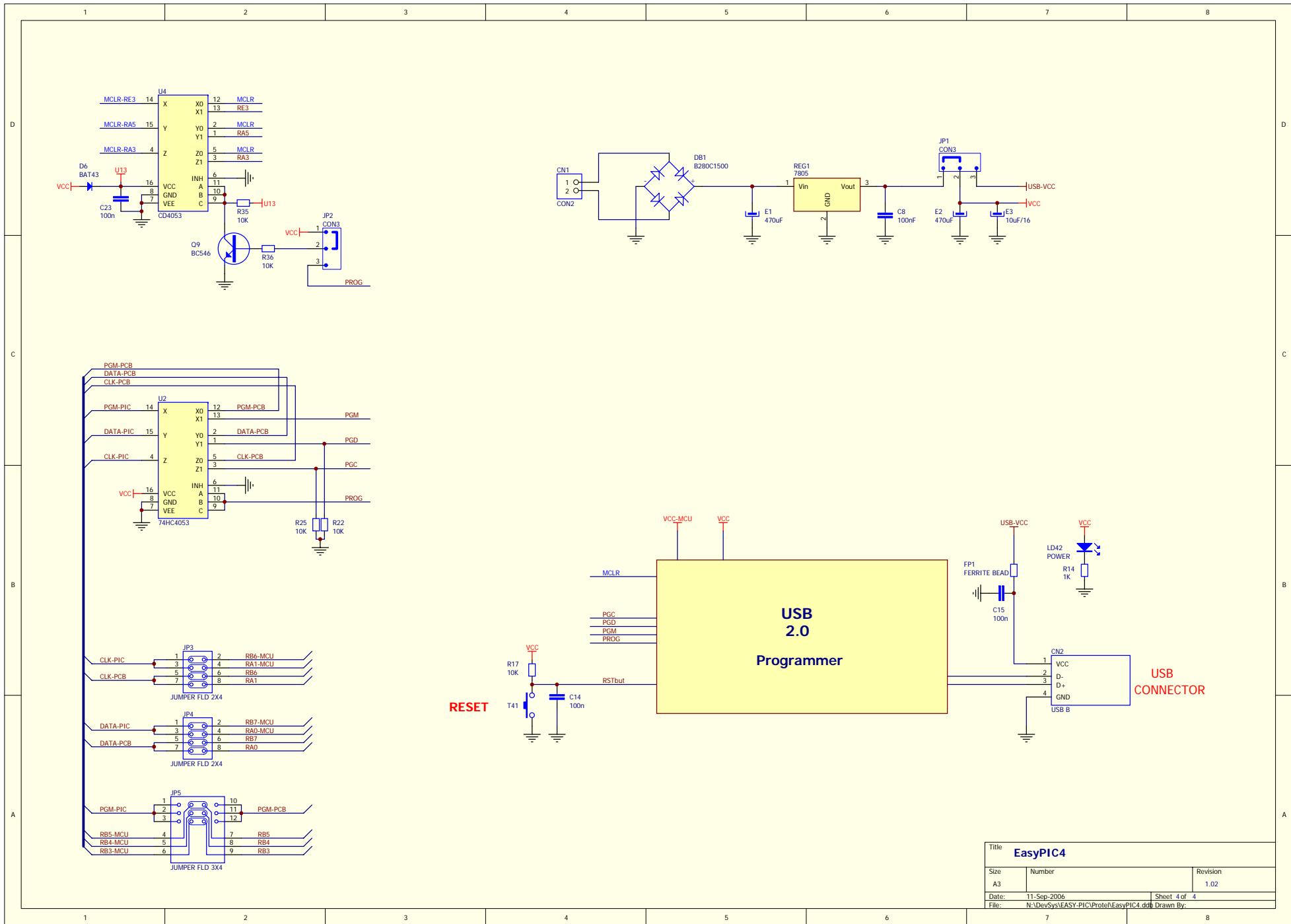


Title EasyPIC4		
Size	Number	Revision
A3		1.02
Date:	11-Sep-2006	Sheet 2 of 4
File:	N:\Dev\Sys\EASY-PIC\Protel\EasyPIC4.dwg Drawn By:	

**RS-232 COMM.
CONNECTOR**



Title		
EasyPIC4		
Size	Number	Revision
A3		1.02
Date:	11-Sep-2006	Sheet 3 of 4
File:	N:\DevSys\EASY-PIC\Protel\EasyPIC4.dwg Drawn By:	



Title		
EasyPIC4		
Size	Number	Revision
A3		1.02
Date:	11-Sep-2006	Sheet 4 of 4
File:	N:\DevSys\EASY-PIC\Protel\EasyPIC4.dwg Drawn By:	